

AnaWhite

[Login](#) | [Signup](#)

Search for something great!

go

Mini Farmhouse Bedside Table Plans

Free plans to build a mini farmhouse bedside table from Ana-White.com

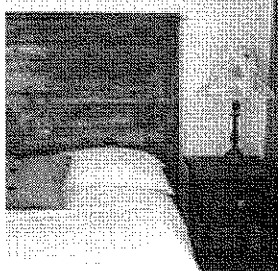


HANDMADE FROM THIS PLAN >>

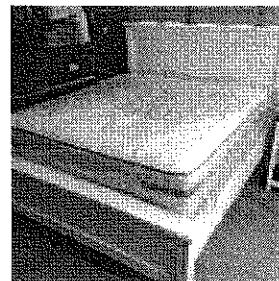
Projects built from this plan. Thank you for [submitting brag posts](http://ana-white.com/node/add/brag-post). (<http://ana-white.com/node/add/brag-post>) it's appreciated by all!



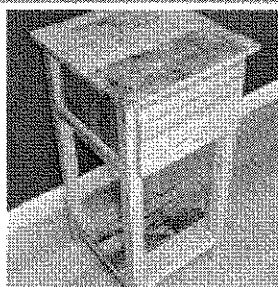
[\(/2013/05/mini-farmhouse-bedside-](http://ana-white.com/node/add/brag-post/2013/05/mini-farmhouse-bedside-table)



[\(/2013/08/love-love-love-my-new-bedroom\)](http://ana-white.com/node/add/brag-post/2013/08/love-love-love-my-new-bedroom)



[\(/2014/04/calif-king-bed-matching-nightstands\)](http://ana-white.com/node/add/brag-post/2014/04/calif-king-bed-matching-nightstands)



[\(/2014/06/pallet-nightstand\)](http://ana-white.com/node/add/brag-post/2014/06/pallet-nightstand)

Author Notes:

One of my fav plans I've done (with over 50 brag posts too! Thanks for sharing!) was this [Farmhouse Bedside Table](http://ana-white.com/2011/01/farmhouse-bedside-table). (<http://ana-white.com/2011/01/farmhouse-bedside-table>)



Some of you have made this table in a smaller version to better fit your space.



These mini farmhouse table beauties were handmade by Danicarby (<http://ana-white.com/2013/05/mini-farmhouse-bedside-table>) - aren't they darling?

After a few requests, I wanted to share the smaller plans with you as well! And remember, you can make these tables just about any size you like - just add or subtract to the width boards!

Happy Building, Ana

Shopping List:

1 - 1x12 @ 4 feet long

1 - 1x2 @ 6 feet long

2 - 2x2 @ 8 feet long

1 - 1x6 @ 8 feet long

scrap 1/4 plywood piece for back optional

recommend 2 1/2" and 1 1/4" pocket hole screws for joinery

Tools:

measuring tape

square

pencil

safety glasses

hearing protection

[Kreg Jig \(http://www.kregtool.com/files/anawhite/anawhite.asp\)](http://www.kregtool.com/files/anawhite/anawhite.asp)

[Drill \(https://www.ryobitools.com/power-tools/products/details/537\)](https://www.ryobitools.com/power-tools/products/details/537)

[Miter Saw \(https://www.ryobitools.com/power-tools/products/details/636\)](https://www.ryobitools.com/power-tools/products/details/636)

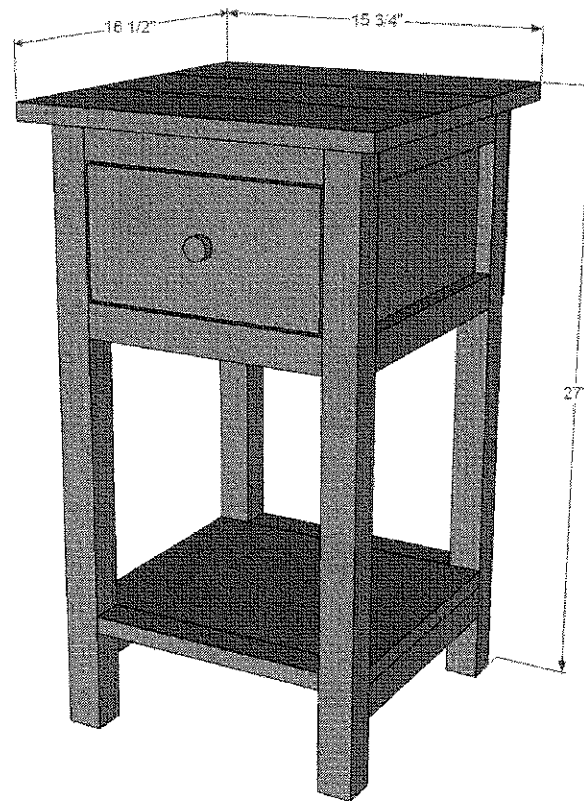
[Random Orbital Sander \(https://www.ryobitools.com/power-tools/products/details/187\)](https://www.ryobitools.com/power-tools/products/details/187)

[Countersink Drill Bit \(https://www.ryobitools.com/power-tools/products/details/237\)](https://www.ryobitools.com/power-tools/products/details/237)

General Instructions:

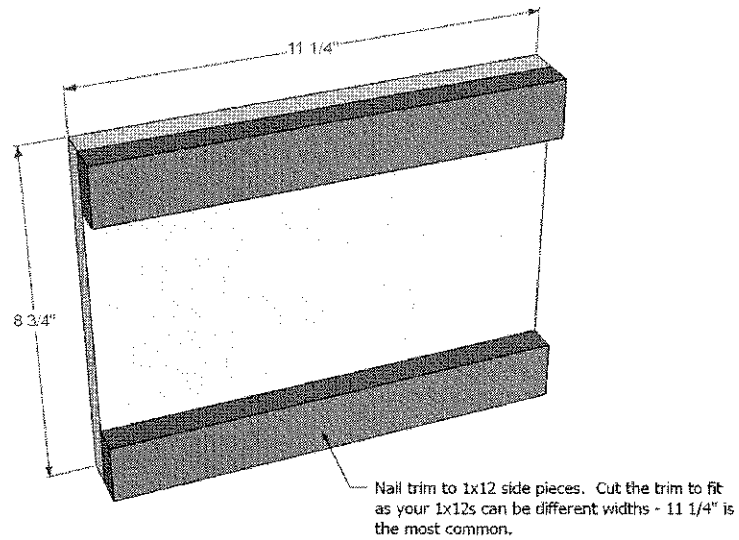
Please read through the entire plan and all comments before beginning this project. It is also advisable to review the Getting Started Section. Take all necessary precautions to build safely and smartly. Work on a clean level surface, free of imperfections or debris. Always use straight boards. Check for square after each step. Always predrill holes before attaching with screws. Use glue with finish nails for a stronger hold. Wipe excess glue off bare wood for stained projects, as dried glue will not take stain. Be safe, have fun, and ask for help if you need it. Good luck!

Dimensions:



Cut List:

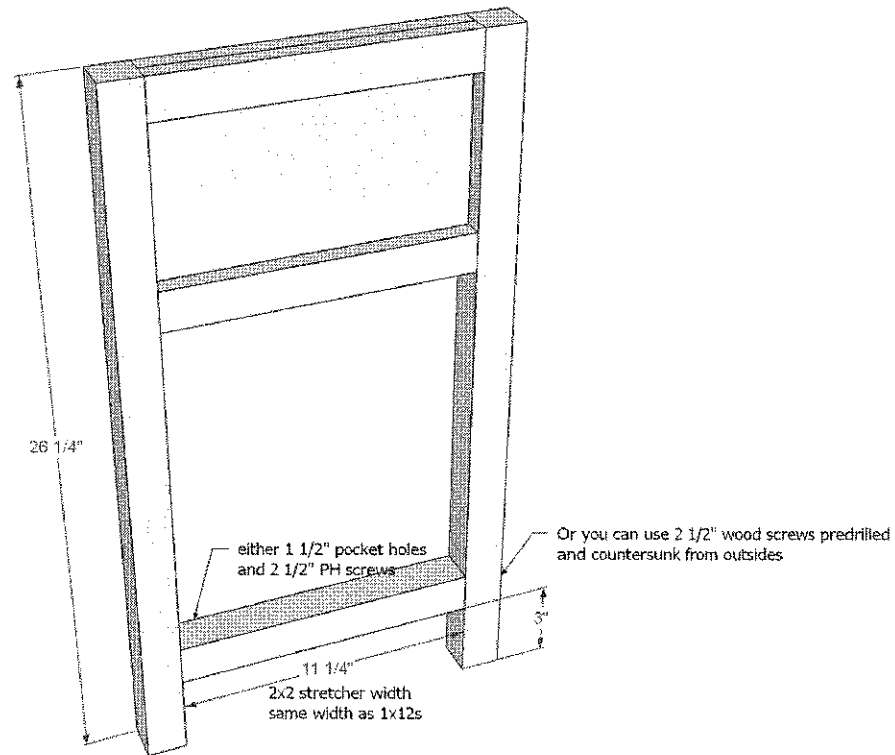
- 2 – 1x12 @ 8 3/4" (Sides)
- 2 – 1x2 @ 11 1/4" (Side Trim – needs to be width of your 1x12s)
- 4 – 2x2 @ 26 1/4" (Legs)
- 2 – 2x2 @ 11 1/4" (Side Stretchers, same width as your 1x12s)
- 6 – 2x2 @ 10 3/4" (Front/Back Trim)
- 1 – 1/4" Plywood or paneling or other sheet goods @ 13 3/4" x 8 1/2" (back, optional)
- 3 – 1x6 @ 15 3/4" (Top)
- 2 – 1x6 @ 10 1/2" (Front and Back of Drawer)
- 2 – 1x6 @ 11 1/4" (Width of 1x12 – Sides of Drawers)
- 1 – 1x12 @ 9" (Bottom of drawer)
- 1 – 1x12 @ 13 3/4" (Bottom Shelf)
- 2 – 1x2 @ 10 3/4" (Bottom Shelf Trim)



Step 1:

Start by attaching trim to the side 1x12 pieces - a nail gun from the inside will do the trick and keep nail holes hidden. Use 1 1/4" nails and glue.

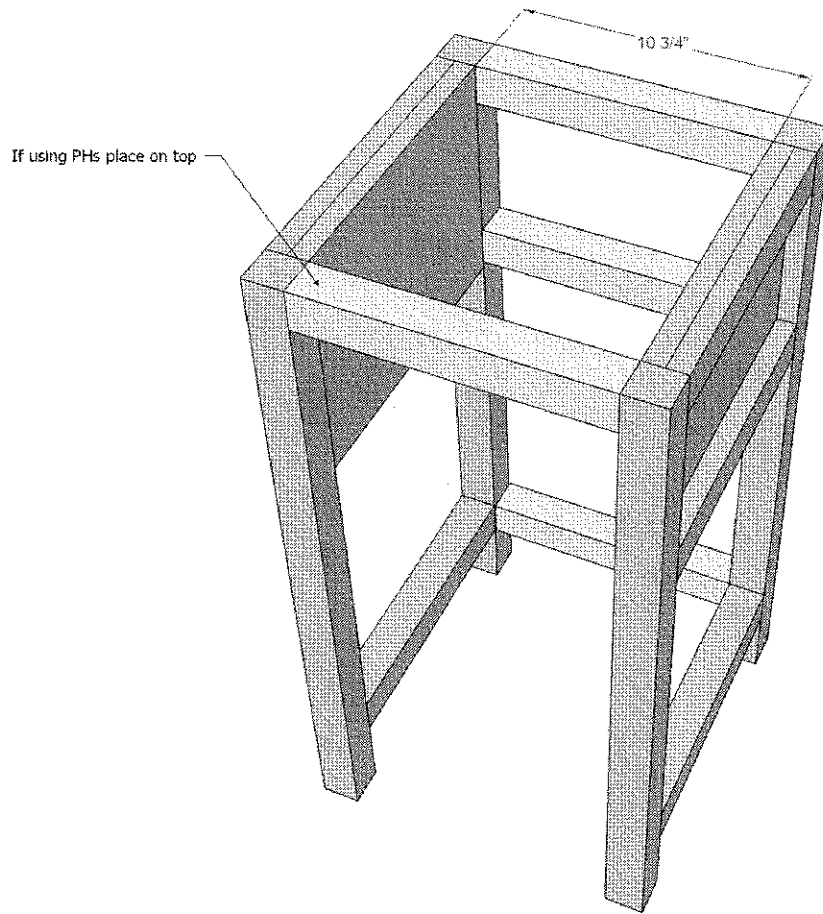
Do this for both sides.



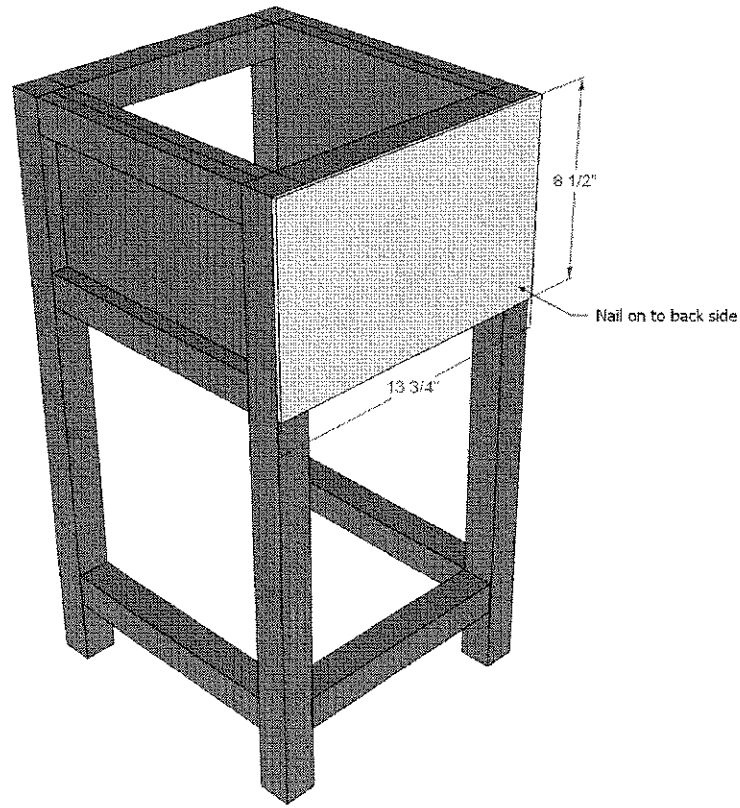
Step 2 Instructions:

I recommend attaching the legs with a Kreg Jig - set it for 1 1/2" pocket holes when joining 2x2s together and use 2 1/2" pocket hole screws. For any joints with 1x boards, use the 3/4" setting and 1 1/4" pocket hole screws.

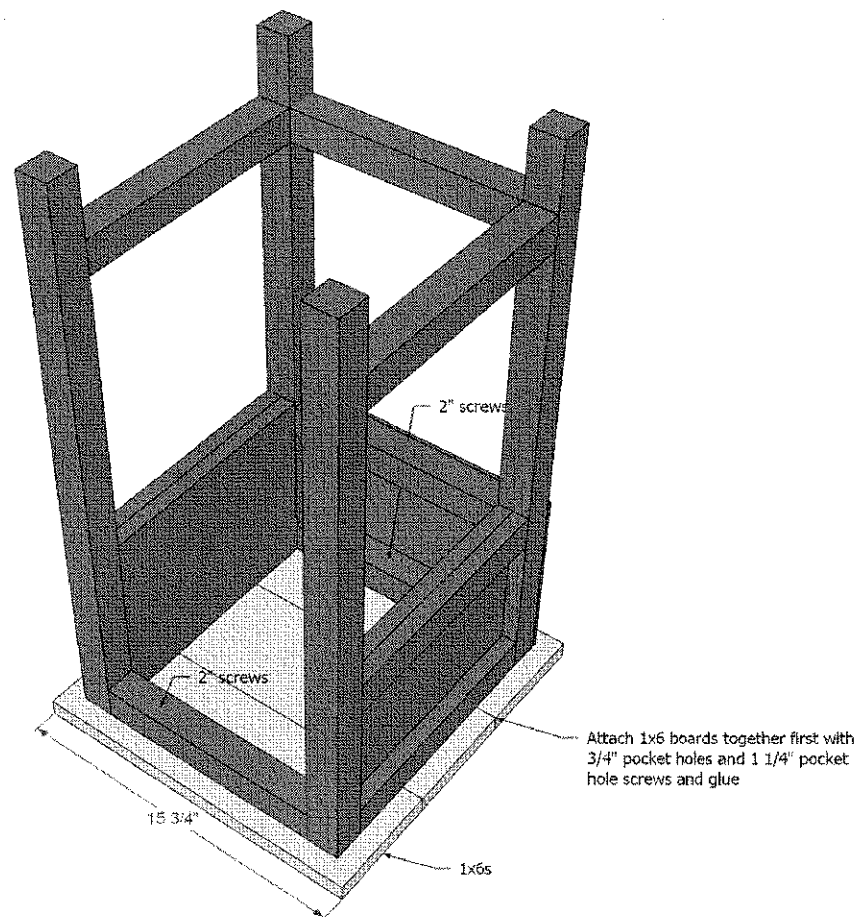
Do this for both sides.



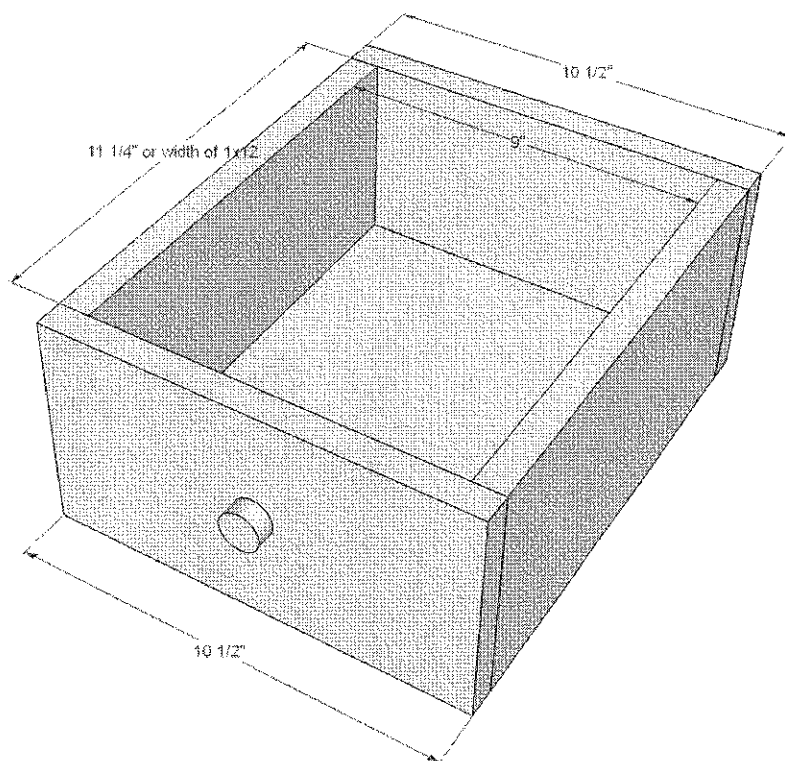
Step 3 Instructions: Then connect the sides together with the front/back trim boards.



Step 4 Instructions: Attach 1/4" plywood to back with nails and glue.

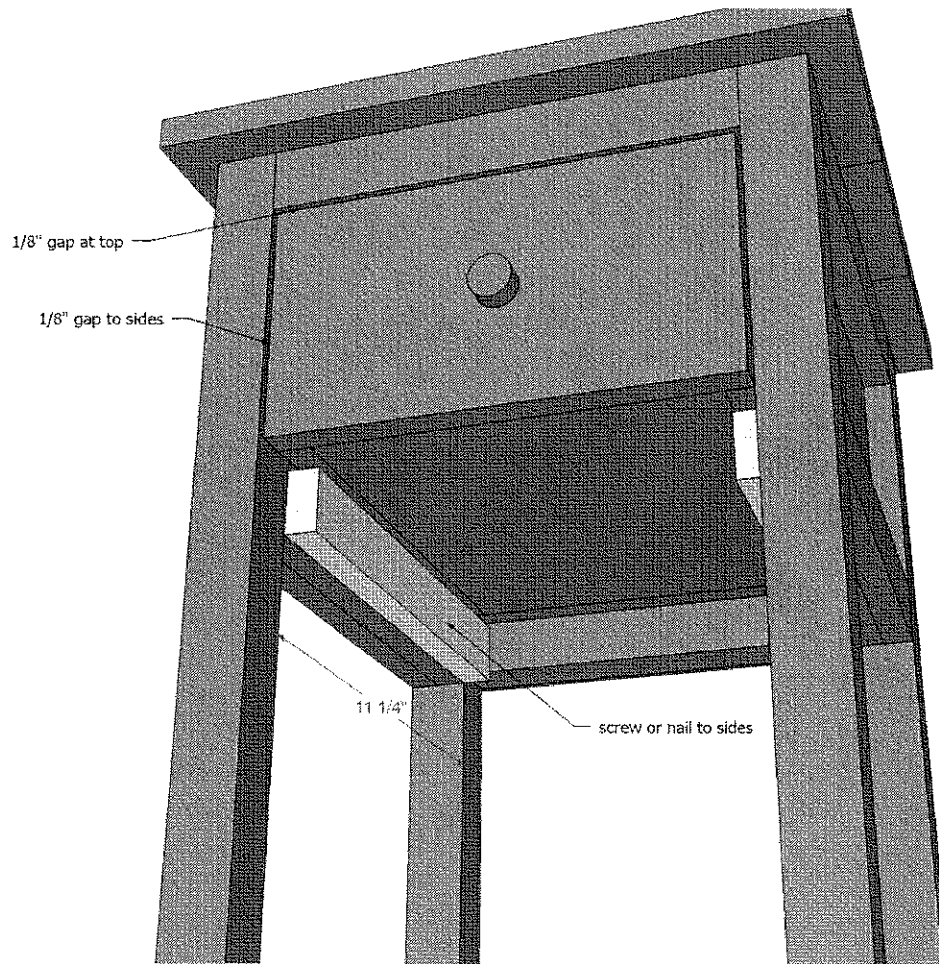


Step 5 Instructions: Build your top first, then attach to top of the bedside table with 2" screws and glue.



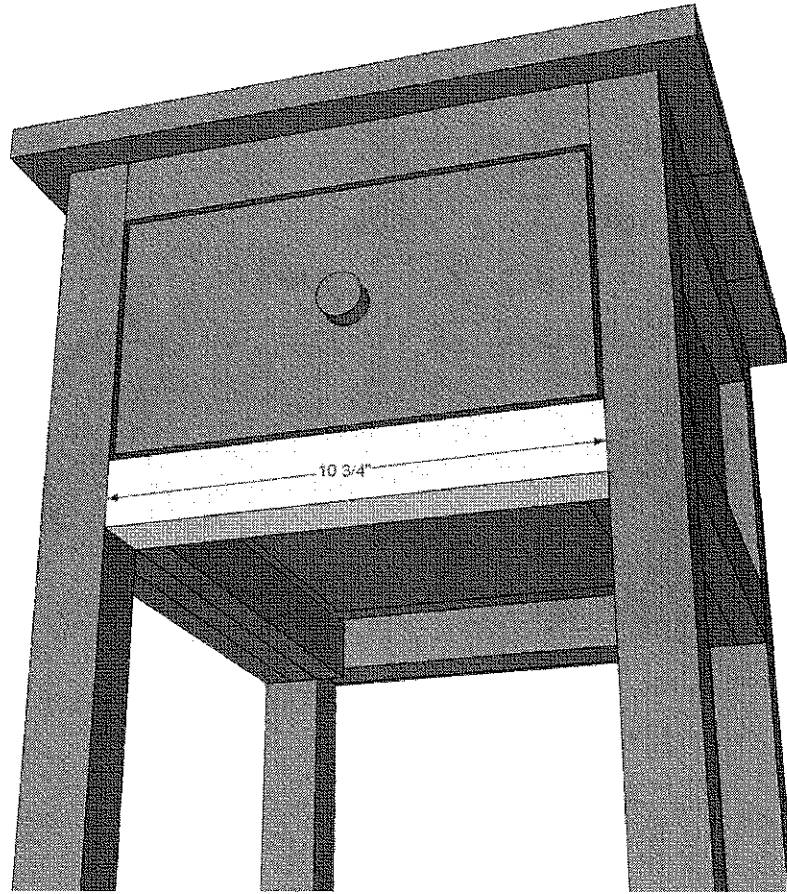
Step 6 Instructions:

Now build your drawers. The bottom is just another 1x12 to use materials you have on hand. Bottom can be attached on underside with 3/4" pocket holes and 1 1/4" pocket hole screws and glue.

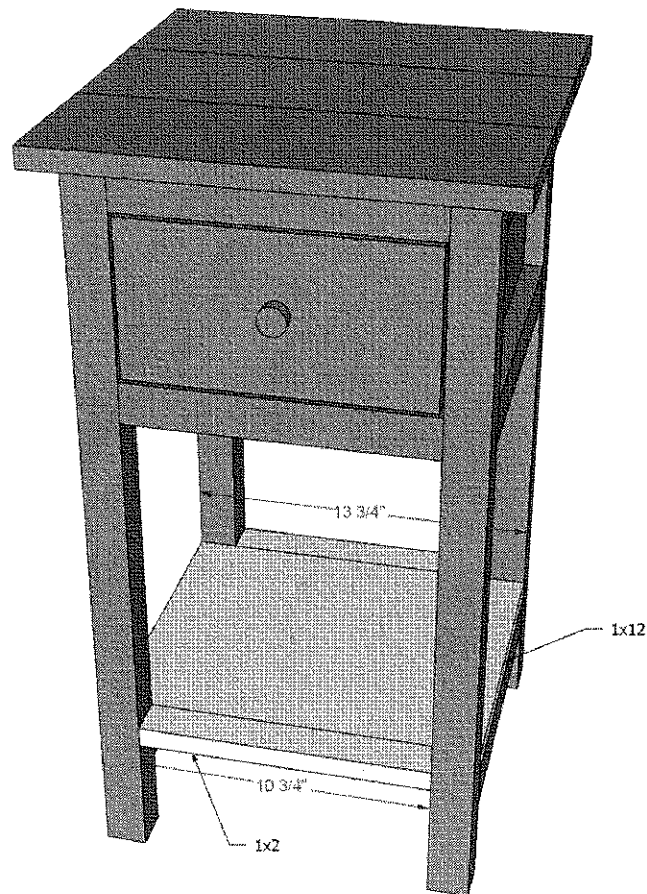


Step 7 Instructions:

Now the slides remember, you'll want an 1/8" gap around all sides of the drawer face. So attach the slides so the drawer sits down about 1/8". Adjust the slides until your drawer slides easily. Candle wax on top will really help the drawer slide better.



Step 8 Instructions: Then trim out the front with the remaining 2x2.



Step 9 Instructions:

And then build your bottom shelf as you did the top with 3/4" PHs/1 1/4" PH screws and attach on top of the bottoms stretchers.

Preparation Instructions:

Fill all holes with wood filler and let dry. Apply additional coats of wood filler as needed. When wood filler is completely dry, sand the project in the direction of the wood grain with 120 grit sandpaper. Vacuum sanded project to remove sanding residue. Remove all sanding residue on work surfaces as well. Wipe project clean with damp cloth. It is always recommended to apply a test coat on a hidden area or scrap piece to ensure color evenness and adhesion. Use primer or wood conditioner as needed.

Project Type:

[Side Tables \(/category/plans/project-type/side-tables\)](/category/plans/project-type/side-tables), [Nightstands \(/category/plans/project-type/nightstands\)](/category/plans/project-type/nightstands)

Room:

[Bedroom \(/category/plans/room/bedroom\)](/category/plans/room/bedroom), [Kids and Toys \(/category/plans/room/kids-and-toys\)](/category/plans/room/kids-and-toys), [living room \(/category/plans/room/living-room\)](/category/plans/room/living-room)

Skill Level: [Intermediate \(/category/plans/skill-level/intermediate\)](/category/plans/skill-level/intermediate)